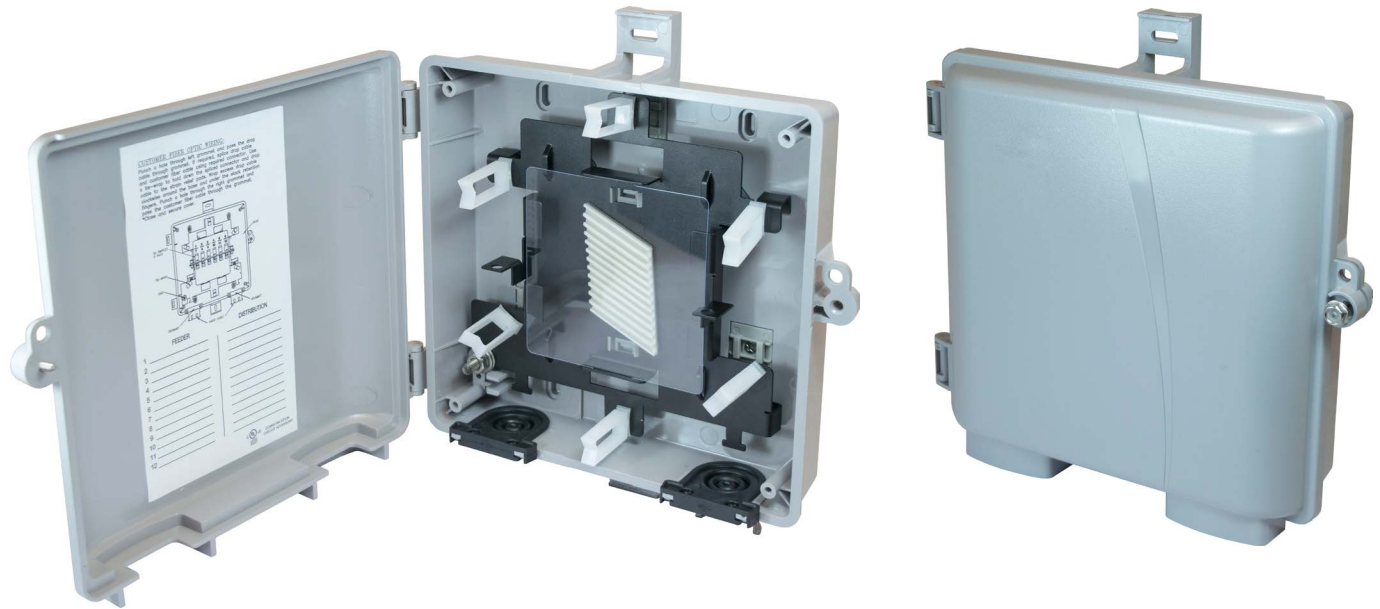


Fiber Gateway Panel (FGP)

Wallmount Enclosures



The Fiber Gateway Panel (FGP) Wallmount Enclosure is a compact unit which features slack storage and separate entry points for connectivity between the OSP fiber drop and customer fiber drop.

Configurable for up to 12 fiber terminations as a demarcation point between outdoor fiber drop and customer premise fiber

The integrated and removable splice tray assembly supports easy installation for patch or patch & splice options.

The rugged plastic housing cover closes securely with 3/8" hex head bolt and has a provision for a padlock.

Features

- Constructed of materials capable of withstanding harsh environments, including: UV degradation, chemical exposure, and extreme temperatures
- Entry grommets accept up to 1 inch conduit and feature tie downs for proper strain relief of fiber cables
- Protective hinged cover fits securely on the base
- Meets Telcordia GR-771 Generic Requirements for Fiber Optic Splice Closures
- Additional cable entry grommets on the rear of the enclosure support polemount cable passthrough

Specifications

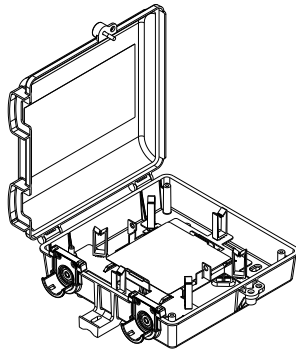
Dimensions (Inches)	10.0 x 10.0 x 3.0 (HxWxD)
Adapter Plate Capacity	1
Fiber Capacity	12 SC or 24 LC
Cable Entry Openings	(2) 1.0"
Material	ABS Plastic
Material Finish	Gray
Weight (Empty) (lbs)	1.5



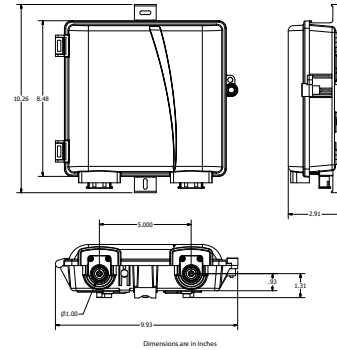
Fiber Gateway Panel (FGP)

Wallmount Enclosures

Interior View



Exterior Views



Part Number

FGP- 1 1 2 2 2 3 4 5 6 6 6 7

1 Adapter Plate Type
 06 = 6 Port (SC/FC/ST)
 08 = 8 Port (SC/FC/ST)
 12 = 12 Port (SC/LC/FC/ST)

2 Adapter Type
 SC = SC
 LC = LC
 FC = FC
 ST = ST

2 Polish Type
 U = Singlemode UPC
 A = Singlemode APC*
 M = Multimode UPC

*Unavailable for ST

3 Pigtail
 N = No Pigtail or Pre-Term
 M = 900 μm in Mesh
 D = Distribution Style (MIC)
 R = Ribbon in Mesh

Note: 3 meter pigtail length is standard

4 Fiber Type
 S = SM 9/125μm G.652.D
 B = SM 9/125μm Bend Insensitive G.657.A1
 1 = MM 62.5/125μm OM1
 2 = MM 50/125μm OM2
 3 = MM 50/125μm OM3
 4 = MM 50/125μm OM4

5 Stub Cable Construction
 Leave Blank for No Stub
 D = Distribution (I or X)
 B = Breakout (X)
 M = Micro Round (I, X, or O)
 L = Loose Tube (X or O)
 R = Ribbon (I, X, or O)
 F = Flat Drop (Up to 24F) (O)
 (I) = Indoor Only
 (X) = Indoor/Outdoor Only
 (O) = Outdoor Only

6 Stub Jacket Type
 Leave Blank for No Stub
 Choose 1 Option for Each Feature:
 I = Indoor or X = I/O or O = Outdoor
 R = OFNR or P = OFNP or L = LSZH*
 N = Non-Armored or A = Armored
 *Leave Blank for Outdoor Cable

7 Stub Length
 Leave Blank for No Stub
 Add -PE for a Pulling Eye
 XXXF = XXX Feet
 XXXM = XXX Meters