

Cable Slack Management Trays

Cable Management and Racks

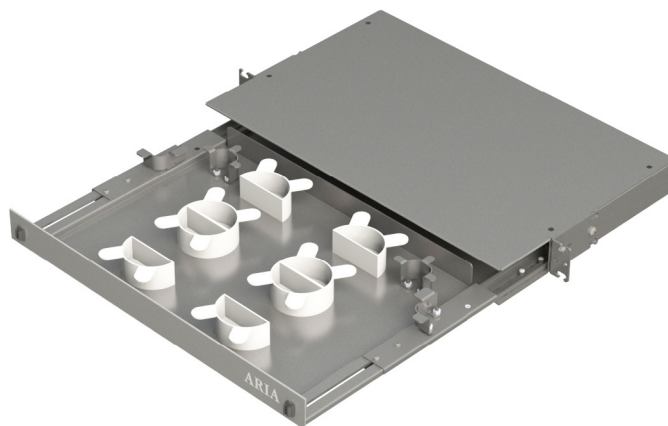
Cable Slack Management Trays are 1RU rackmount panels designed for managing and routing cable slack.

A sliding tray model and fixed tray models are available.

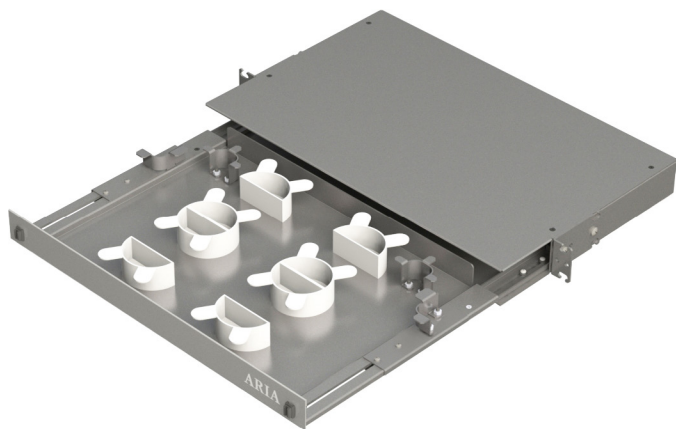
The sliding tray model features a sliding tray, sliding cable entrance radius guides, a removable door, and a larger footprint for increased slack storage capacity.

The fixed tray model features multiple mounting depths and can be used in a zero RU configuration.

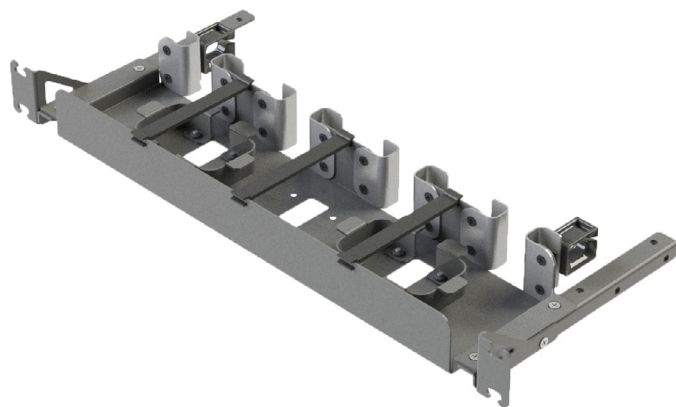
Numerous radius guides provide proper cable bend radius and organized cable management.



Sliding Tray Model



Fixed Tray Model



Specifications

Rack Units	1
Dimensions (Inches)	1.75 x 17.0 x 11.0 (HxWxD)
Mounting	19" or 23" Frames
Material	1.5mm Thick Aluminum & Steel
Material Finish	Dark Gray Powder Coat
Weight (Empty) (lbs)	5.0
Capacity:	Ø 3.0 mm: 50 m 20x 2.5m cables Ø 2.0 mm: 75 m 30x 2.5m cables Ø 1.6 mm: 90 m 36x 2.5m cables
Part Number	CSMT-SLIDING

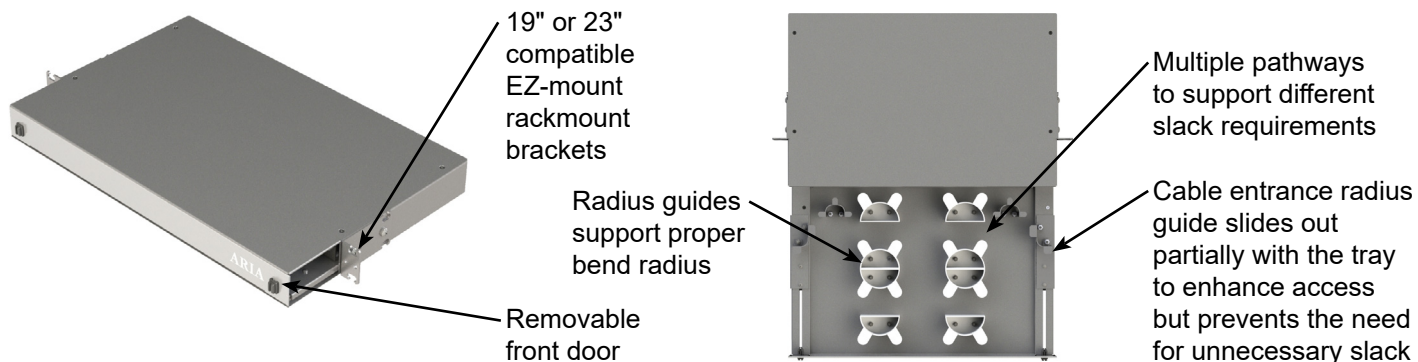
Specifications

Rack Units	1
Dimensions (Inches) for 19" Rack Model	1.75 x 17.0 x 8.0 (HxWxD)
Dimensions (Inches) for 23" Rack Model	1.75 x 21.0 x 8.0 (HxWxD)
Mounting	19" Frame and 23" Frame Models Available
Material	1.5mm Thick Aluminum
Material Finish	Dark Gray Powder Coat
Weight (Empty) (lbs)	2.0
Part Number for 19" Rack Model	CSMT-FIXED-19IN
Part Number for 23" Rack Model	CSMT-FIXED-23IN

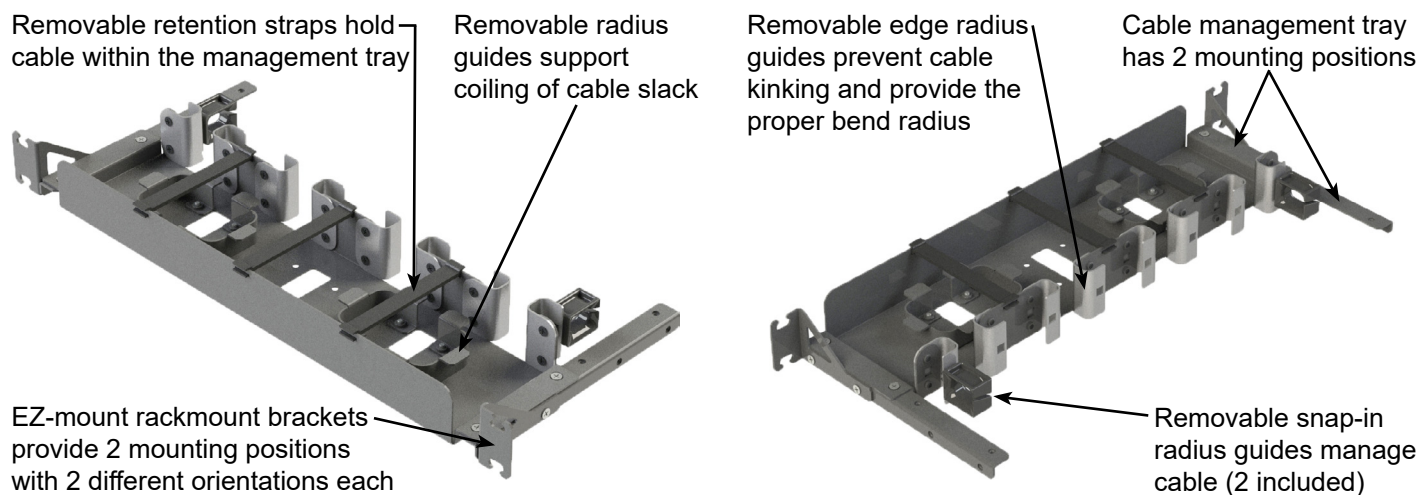
Cable Slack Management Tray

Cable Management and Racks

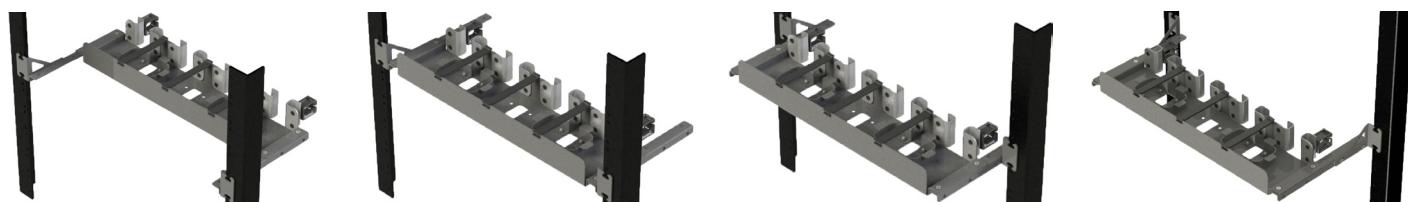
Sliding Tray Model Features



Fixed Tray Model Features



Fixed Tray Model Mounting Configurations



4" Behind the Rack

Flush with the Rack

5" In Front of the Rack

8" In Front of the Rack

Accessories



Snap-In Radius Guide for Fixed Tray Model
P/N: Snap-In-Radius-Guide