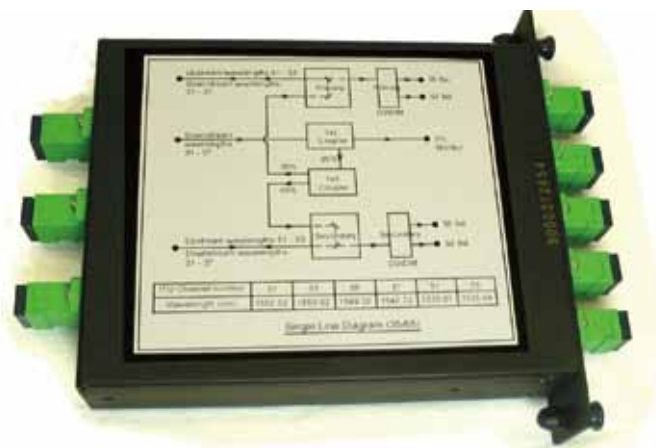


DWDM MODULES

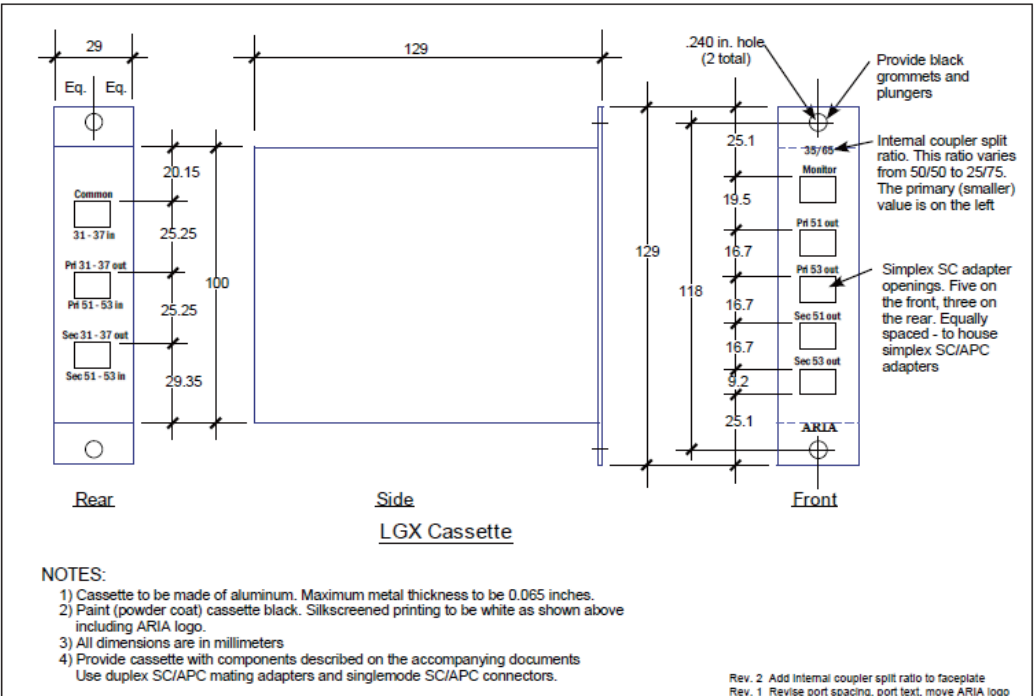
Aria's NEW DWDM Modules can be used in conjunction with 1550 nm technology - carrying multiple wavelengths across the same fiber so CATV MSOs can separate content and push it onto separate wavelengths. The separated traffic can then be carried over the same fiber and dropped off at different coaxial termination points within the same nodes. This effectively splits the node sizes by creating different delivery points but does not physically alter the HFC configuration. With this technology the distance does not matter and one doesn't have to optimize for a specific distance. (Transmitter technology multiplexes the signals onto the existing fiber and makes sure it can un-multiplex at the end point. While technically still part of the node, that end point becomes, in effect, a smaller node.)



Front view

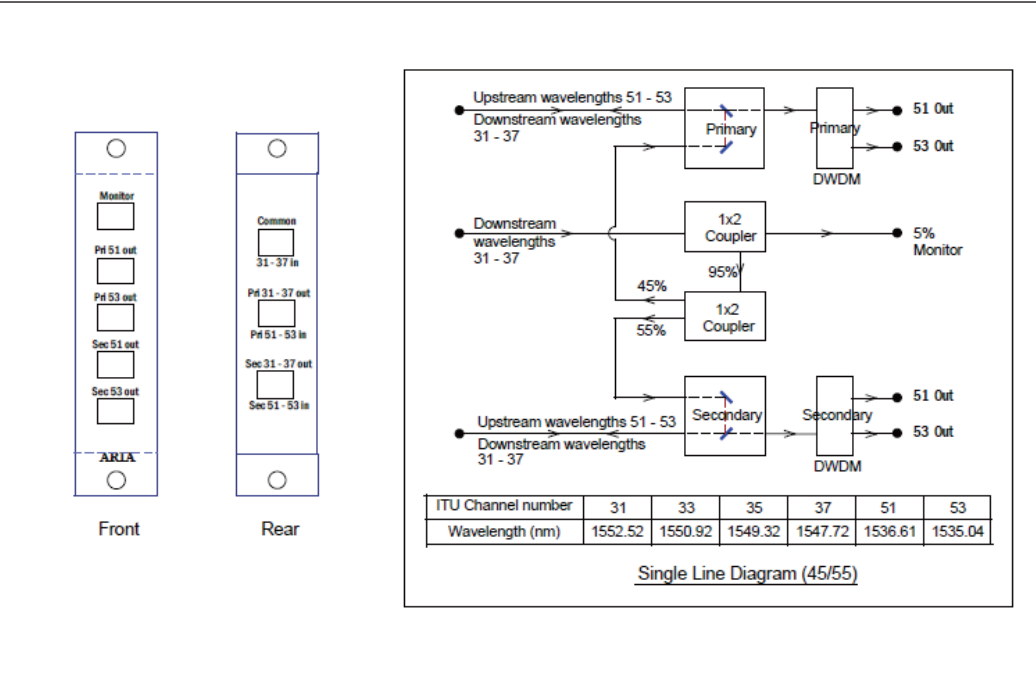


Rear view



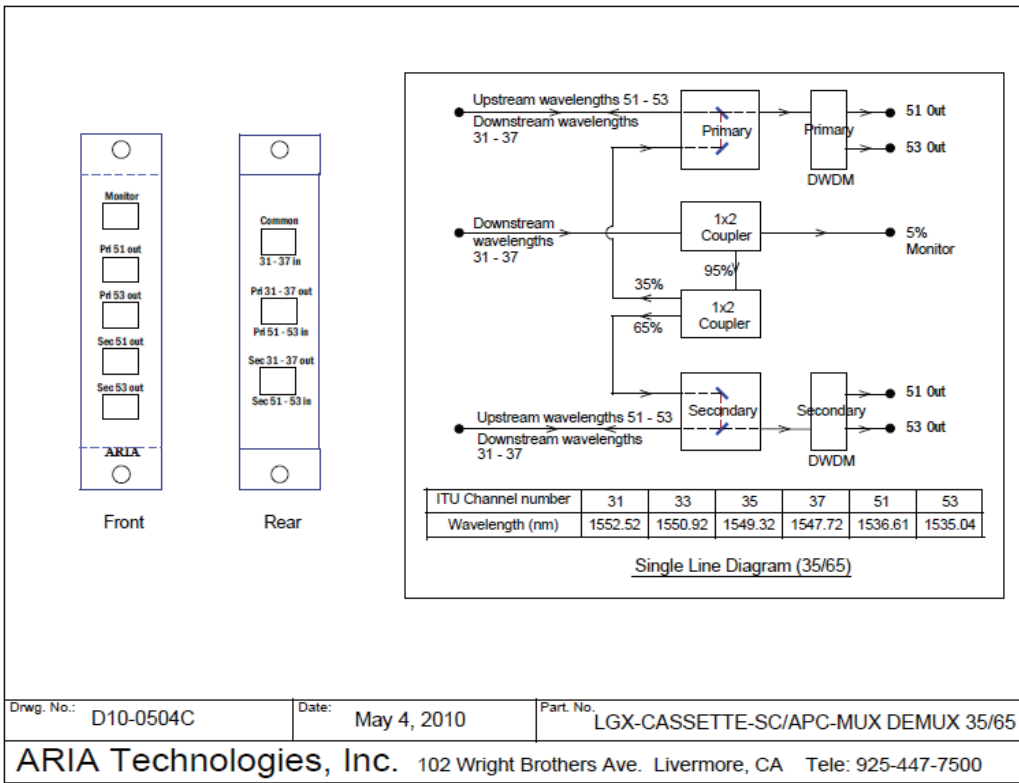
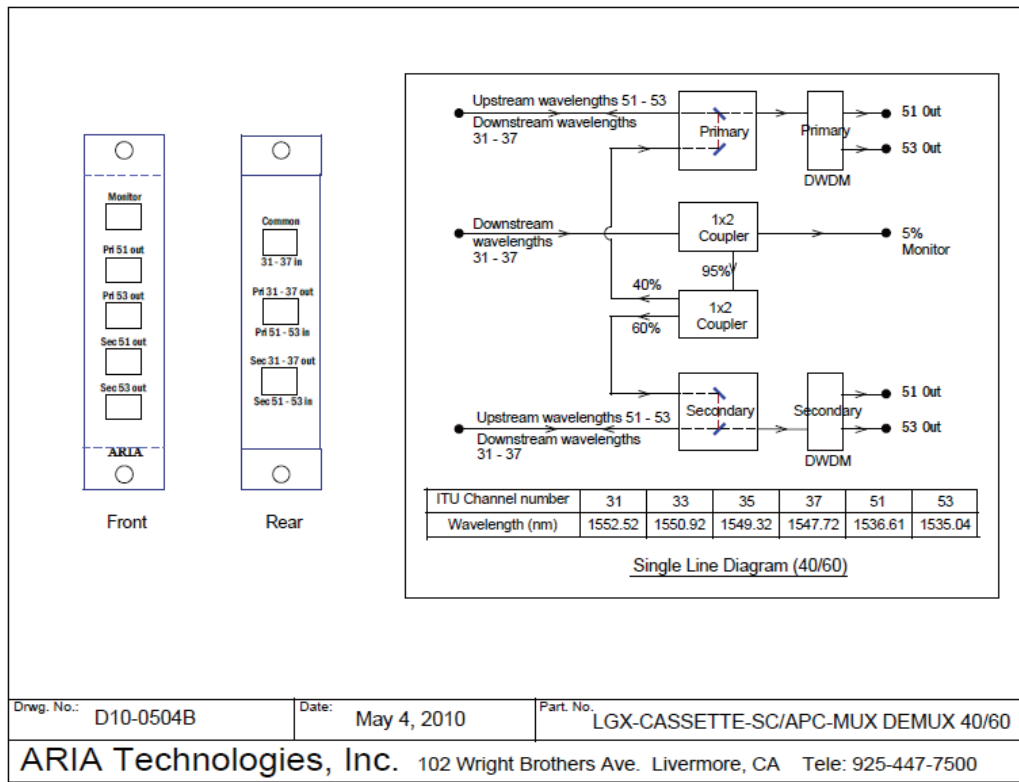
Drwg. No.: D10-0318C Rev. 2 Date: June 24, 2010 Part. No. LGX-CASSETTE-SC/APC-MUX DEMUX

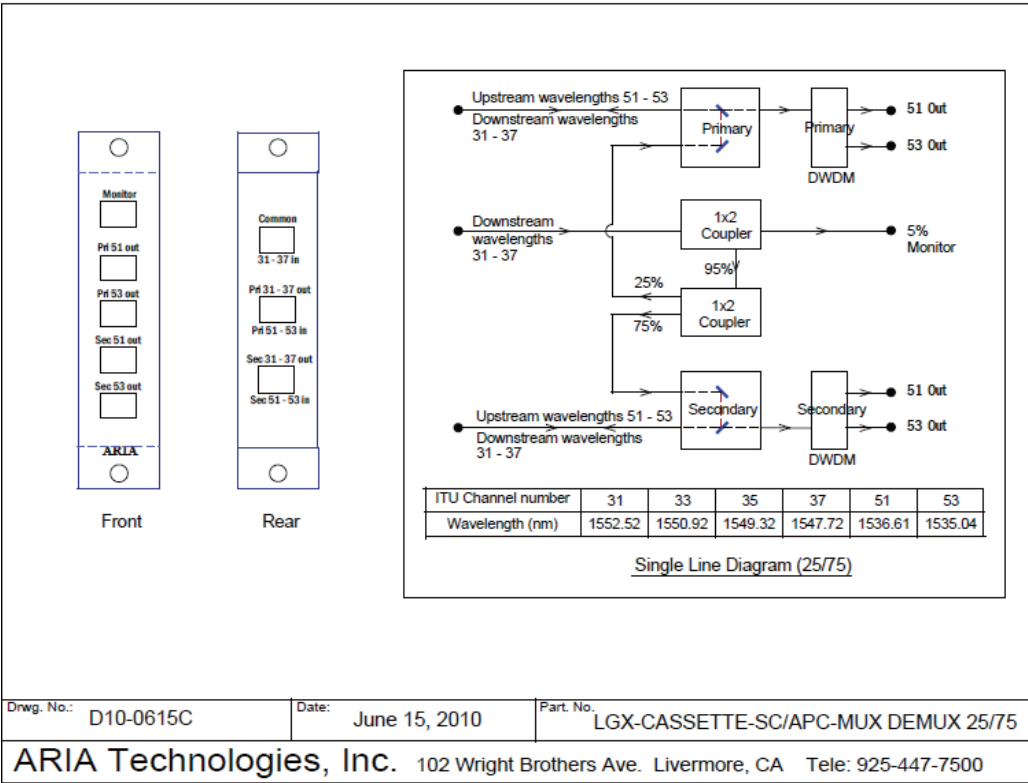
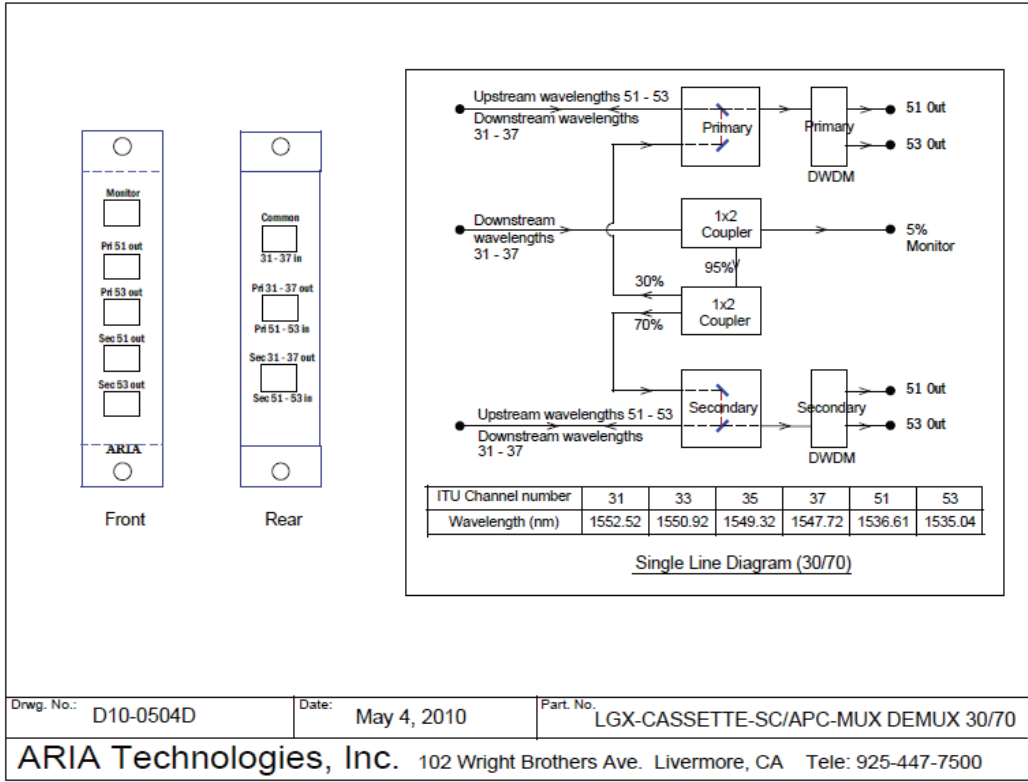
ARIA Technologies, Inc. 102 Wright Brothers Ave. Livermore, CA Tele: 925-447-7500



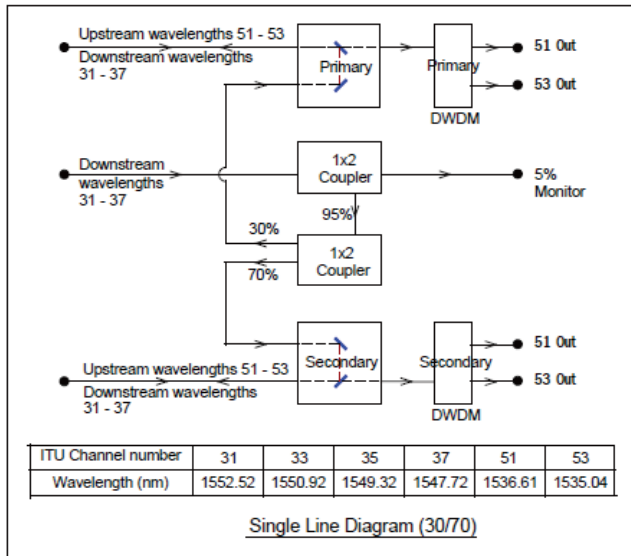
Drwg. No.: D10-0504A Date: May 4, 2010 Part. No. LGX-CASSETTE-SC/APC-MUX DEMUX 45/55

ARIA Technologies, Inc. 102 Wright Brothers Ave. Livermore, CA Tele: 925-447-7500





DWDM MODULES



65% reduced for cassette label

